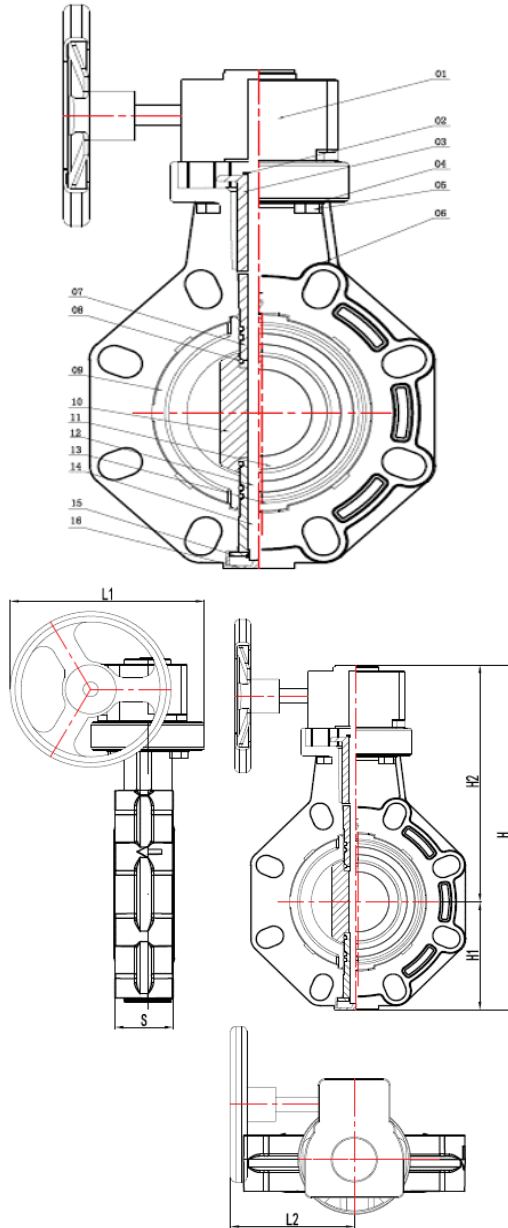


Flui-PRO Butterfly Valve



Material table

No.	Part name	Quantity	Material
1	Gear Drive Seat	1	Aluminum alloy
2	Collar	1	Stainless steel
3	Located set	4	PP+GF30%
4	Gasket	1	PP+GF30%
5	Bolt	4	Stainless steel
6	Body	1	PP+GF30%
7	Guide sleeve	2	PVC-U
8	O-ring	8	EPDM/FPM
9	Valve sleeve	1	PVC-U
10	Disc	1	PVC-U
11	Seal ring	1	EPDM/FPM
12	Shaft	1	SS 316
13	Rubber ring	2	EPDM/FPM
14	Collar	1	Stainless steel
15	Washer	1	Stainless steel
16	Washer cover	1	PP+GF30%

SIZE (*")	DIMENSION (in)						
	D	H	H1	H2	S	L1	L2
2"	4.09	10.47	3.03	5.28	1.75	6.02	8.37
2-1/2"	4.5	10.83	3.27	5.51	1.81	6.02	8.37
3"	5.12	11.34	3.50	5.75	1.91	6.02	8.37
4"	6.31	13.07	4.09	6.75	2.19	6.02	9.97
5"	7.32	14.21	4.61	7.13	2.48	6.54	9.97
6"	8.46	14.92	5.12	7.44	2.83	6.54	9.97
8"	10.59	17.68	6.22	8.27	2.87	10.55	16.14
10"	12.75	21.54	8.07	10.40	4.45	11.22	16.14
12"	13.25	23.23	8.98	11.22	4.49	12.78	16.14
14"	20.55	30.87	10.12	20.75	5.08	12.78	8.78
16"	23.07	33.46	11.34	22.13	6.26	12.78	12.72