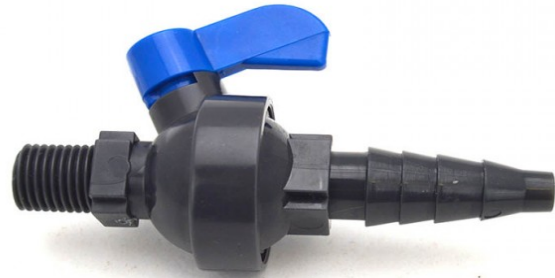


ADVANTAGES:

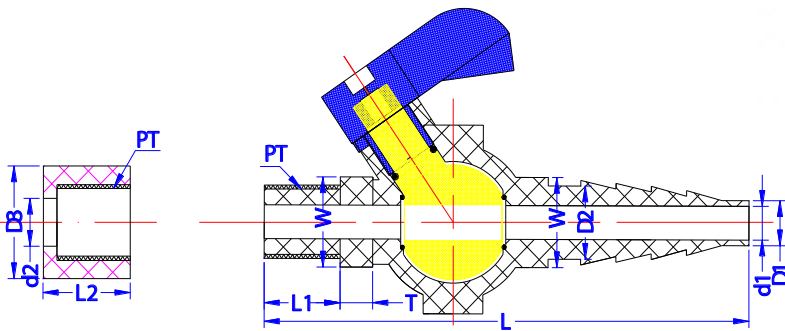
- 1) Pure virgin material, CaCO₃ free (Chalk)
- 2) UV resistant powder added
- 3) 100% pressure testing before leaving our factory

DESCRIPTION:

- 1) Material: UPVC, CPVC, PVDF
- 2) Size: 1/4"
- 3) Joint End: Threaded BSPT
- 4) Standard: ANSI, DIN
- 5) Working Pressure: 150 PSI
- 6) Operating Temperature: UPVC(0~55) ; CPVC(0~95)



SPECIFICATIONS:



UNIT: IN

SIZE	d1	D1	D2	L	L1	W	T	L2	d2	D3			PT
										ANSI	DIN	JIS	
1/4"	.24	.31	.47	3.54	.55	.63	.24	.63	.31	.83	.79	.87	.75